

3/2 & 5/2 Way Push Pull Valve (Spring Return / Detent)

Features

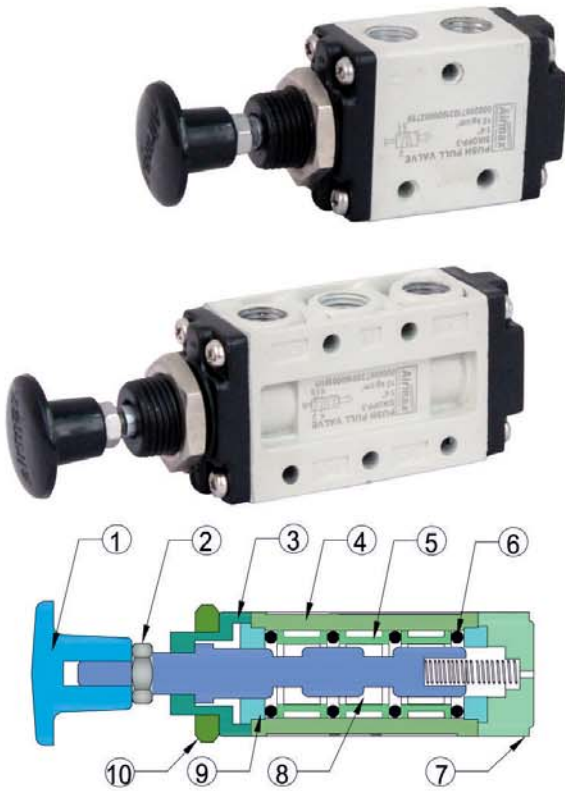
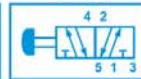
- ▶▶ Heavy & Durable design.
- ▶▶ Aluminum Die Cast Standard Grade with Powder Coating.
- ▶▶ Hard Chrome Plated spool for rust free smooth and long life cycle.
- ▶▶ Superior High Grade Seals
- ▶▶ Simple design easy to maintenance

Technical Specification

Model	SIKOPP - 3	SIKOPP - 5
Size	1/4"	1/4"
Design	Spool type,	
Pressure	10 Kg/cm ²	
Temperature	80 °C	
Leakage	Bubble Tight	
Media	Compressed Air (Filtered & Lubricated)	
Weight (Kg)	0.200	0.200

3/2 Way

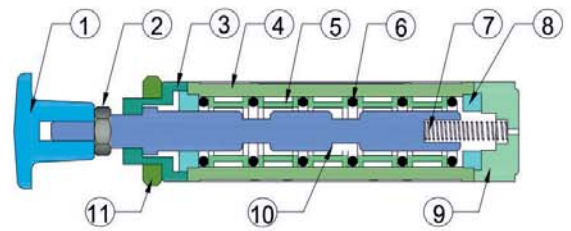
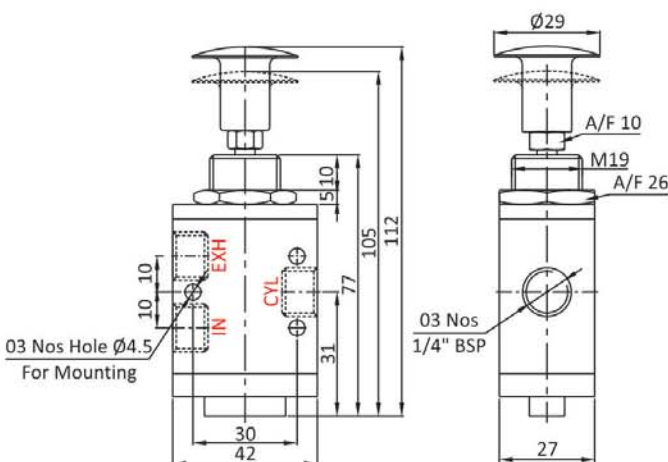
5/2 Way



No.	Part Name	Material
1	Knob	Nylon
2	Nut	Steel Plated
3	Top Cover	Nylon
4	Body	Aluminum Pressure Die Cast
5	Cage	Polyacetal
6	'O' Ring	NBR
7	Spring	S. Steel
8	End Cover	Nylon
9	Spool	EN8 Hardchrom Plated
10	Washer	Polyacetal
11	Check Nut	Brass

* Only For Spring Return Valve

Size : 1/4" BSP (Dimensions are in mm)



No.	Part Name	Material
1	Knob	Nylon
2	Nut	Steel Plated
3	Top Cover	Nylon
4	Body	Aluminum Pressure Die Cast
5	Cage	Polyacetal
6	'T' Ring	NBR
*7	Spring	S. Steel
8	Washer	Polyacetal
9	End Cover	Nylon
10	Spool / Shaft	EN8 Hardchrome Plated
11	Check Nut	Brass

* Only For Spring Return Valve

Size : 1/4" BSP (Dimensions are in mm)

