

## 3/2 Way Poppet Type UTI - Sugar Valve

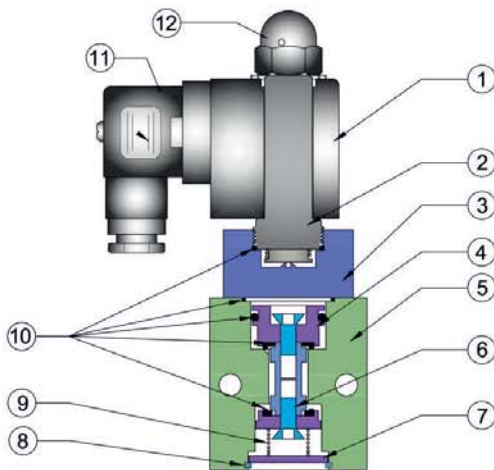


### Features

- ▶▶ Poppet type Heavy duty Valve
- ▶▶ Suitable for Loading & Unloading Application
- ▶▶ High Flow Volume
- ▶▶ Fast Action
- ▶▶ Coil - Continuous duty low power consumption, CIMFR & CE Approved.
- ▶▶ Superior High Grade Seals
- ▶▶ Simple design easy to maintenance
- ▶▶ Manual Operator Push, Rotate & Lockable type.

### Technical Specification

|               |   |
|---------------|---|
| Model         | UTI - SUGAR - 302   |
| Size          | 1/4"  |
| Design        | Poppet type,  |
| Pressure      | 2.5 to 10 Kg/cm <sup>2</sup>  |
| Temperature   | 80 °C   |
| Leakage       | Bubble Tight  |
| Duty Cycle    | Continuous Rated  |
| Protection    | IP 65<br>[Flameproof / Explosion Proof As Per IS / IEC 60079 - 1 Standard<br>Approved by Central Institute of Mining and Fuel Research (CIMFR)] |
| Connector     | DIN 43650 A   |
| Response Time | 15 msec ON / 25 msec OFF  |
| Coil Voltage  | 12V, 24V, 48V, 110V, 230V, (AC / DC) 50 / 60 Hz<br>( Non Std. Voltage Available On Request )  |
| Media         | Compressed Air ( Filtered & Lubricated )  |
| Weight (Kg)   | 0.590   |



| No. | Part Name         | Material          |
|-----|-------------------|-------------------|
| 1   | Coil              | Std. Material     |
| 2   | Armature Assembly | Standard Steel    |
| 3   | Armature Top      | Aluminium         |
| 4   | Piston Assembly   | Aluminium / Brass |
| 5   | Body              | Aluminium         |
| 6   | Screw             | S. Steel          |
| 7   | Button Plate      | Aluminium         |
| 8   | Circlip           | S. Steel          |
| 9   | Spring            | S. Steel          |
| 10  | 'O' Ring / Gasket | NBR               |
| 11  | DIN Connector     | DIN 43650A        |
| 12  | Cap Nut           | Steel Plated      |

