

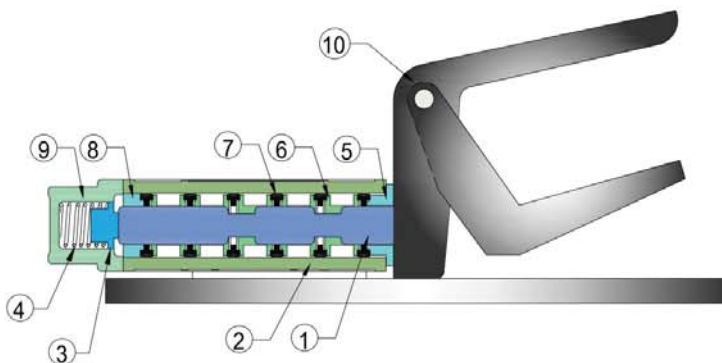
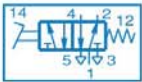
5/2 Way Foot Pedal Valve (Spring Return)

Features

- ▶▶ Heavy & Durable design.
- ▶▶ Aluminum Die Cast Standard Grade with Powder Coating.
- ▶▶ Hard Chrome Plated spool for rust free smooth and long life cycle.
- ▶▶ Superior High Grade Seals
- ▶▶ Simple design easy to maintenance

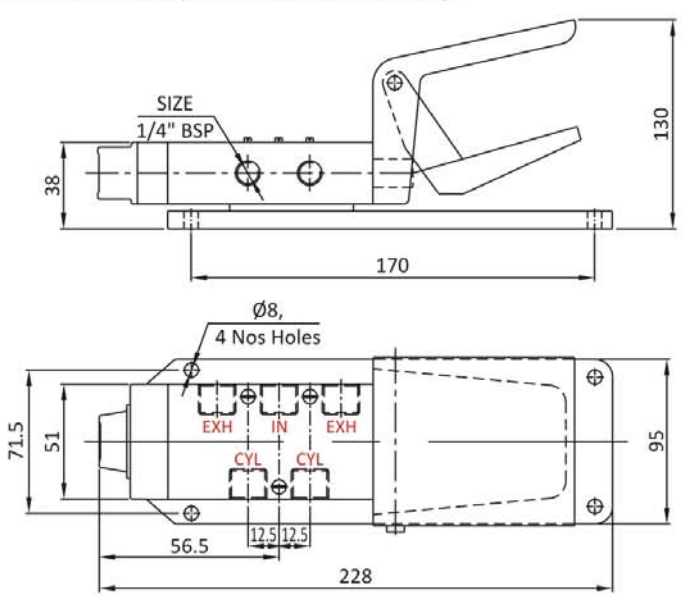
Technical Specification

Model	2ARMFLV - 502	2ARMFLV - 504
Size	1/4"	1/2"
Orifice	7	10
Design	Spool type,	
Pressure	10 Kg/cm ²	
Temperature	80 °C	
Leakage	Bubble Tight	
Media	Compressed Air (Filtered & Lubricated)	
Flow (NLPM) at 5 BAR	1100	3000
Weight (Kg)	1.240	1.840



No.	Part Name	Material
1	Spool	EN8 Hardchrome Plated
2	Body	Aluminum Pressure Die Cast
3	Stopper	Polyacetal
4	Spring	S. Spring
5	Stopper	Polyacetal
6	Cage	Polyacetal
7	'T' Ring	Hi - Nitrile
8	Collar Washer	Polyacetal
9	End Cover	Aluminum Pressure Die Cast
10	Pedal Cover & Mounting Plate	Steel Fabricated

Size : 1/4" BSP (Dimensions are in mm)



Size : 1/2" BSP (Dimensions are in mm)

