

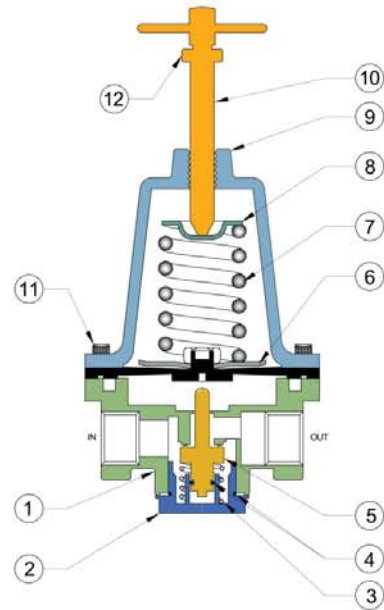
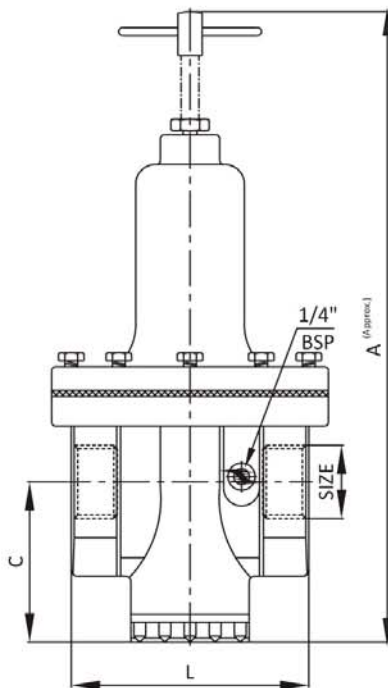


Features

- ▶ High Flow Design
- ▶ Heavy Duty & Durable Design
- ▶ Comfortable to all industrial use.

Technical Specification

Model	AR-S-02	AR-S-04	AR-S-05	AR-S-06	AR-S-07	AR-S-08
Size	1/4"	1/2"	3/4"	1"	1.1/2"	2"
Pressure	10 Kg/cm ² (max.)					
Temperature	50 °C (max.)					
Seals	NBR					
Adjusting Setting	Turn "T" Type key clock wise to increase pressure					
Media	Compressed air					



Dimensions : (All Dimensions are in mm)

MODEL	SIZE	L	A	C	Flow SCFM at 5 Bar	Weight (Kg.) Approx.
AR - S - 02	1/4"	72	190	30	60	0.580
AR - S - 04	1/2"	72	190	30	80	0.520
AR - S - 05	3/4"	110	290	51.5	375	2.085
AR - S - 06	1"	110	290	51.5	375	2.050
AR - S - 07	1.1/2"	141	340	60	450	2.930
AR - S - 08	2"	141	340	60	575	2.900

No.	Part Name	Material
1	Body	Aluminum Pressure Die Cast
2	Bottom	Nylon / Aluminum
3	Plunger Spring	S. Steel
4	'O' Ring	NBR
5	Plunger with Rubber Moulded	Brass / Aluminum with Rubber Moulded
6	Diaphragm	P. U.
7	Pressure Spring	Spring Steel
8	Pressure Plate	Steel Plated / Aluminum
9	Cap Cover	Aluminum Steel Fabricated
10	Adjusting 'T' Stud	Steel Plated
11	Screw	Steel Plated
12	Check Nut	Brass