

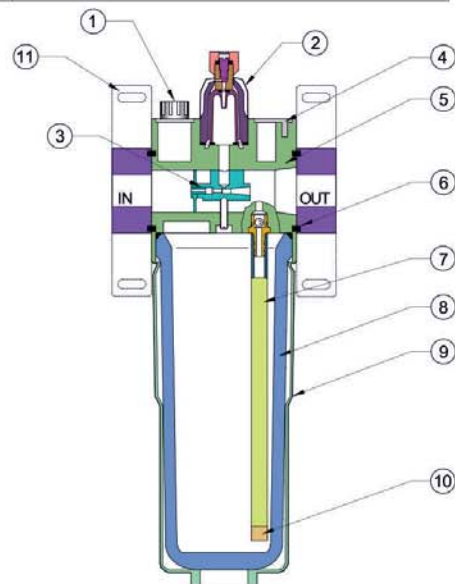


#### Features

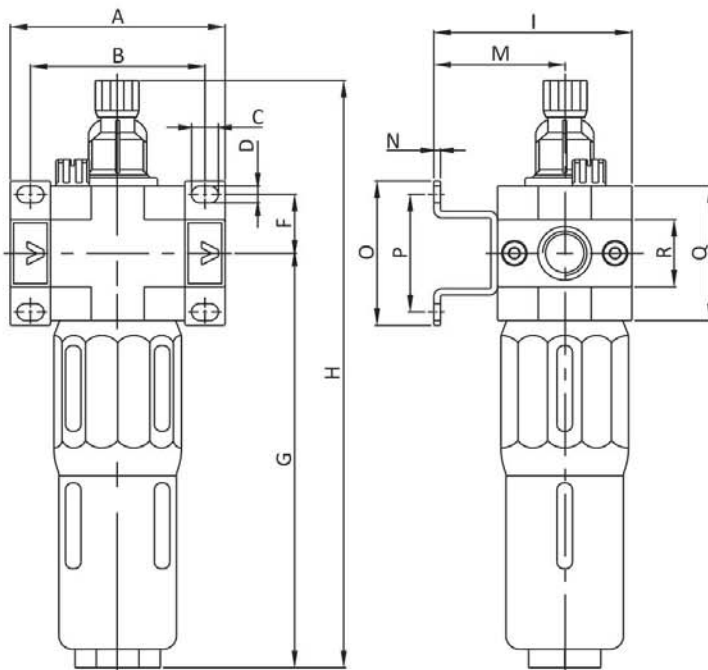
- ▶ Zinc Pressure Die Cast Standard Grade with Powder Coated Body
- ▶ Comfortable to all industrial use
- ▶ Mounting Available
- ▶ Heavy Design & Rugged Use
- ▶ Precise Regulating Lubrication
- ▶ Type of Oil to be used ISO VG32

#### Technical Specification

Model	F01 - L	F02 - L
Size	1/4"	1/2"
Pressure	Upto 16 BAR	
Temperature	Upto 60 °C	
Leakage	Bubble Tight	
Recommended Oil	ISO VG32 or Equivalent	
Media	Compressed air	



No.	Part Name	Material
1	Oil Plug	Nylon
2	Indicator Dom Set	Poly Carbonate
3	Distributor	NBR
4	Cover	Nylon
5	Body	Zink Pressure Die Cast
6	'O' Ring	NBR
7	Oil Tube	P.U. / Nylon
8	Bowl	Poly Carbonate
9	Guard	Aluminum
10	Filter Element	Sinter Bronze
11	Mounting	M. S.



#### Dimensions :

(All Dimensions are in mm)

MODEL	SIZE	A	B	C	D	F	G	H	I	M	N	O	P	Q	R	Weight (Kg.) Approx.
F01 - L	1/4"	64	52	8	5	17.5	123.5	175	59	39	2	43	35	40	20	0.436
F02 - L	1/2"	85	70	8.5	5.5	25	153.5	211.5	74.5	47	3	74	60	55	32	0.991