

## Disc Rotary Valve 4 Way (3 Position)

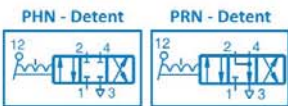


### Features

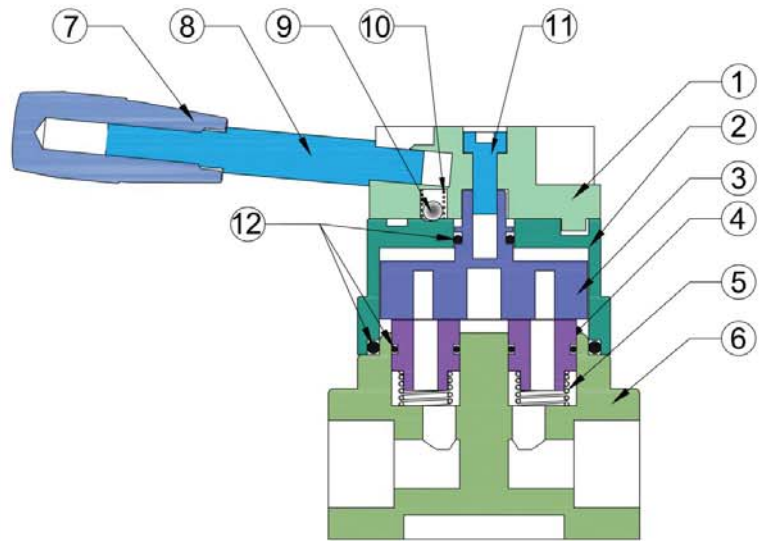
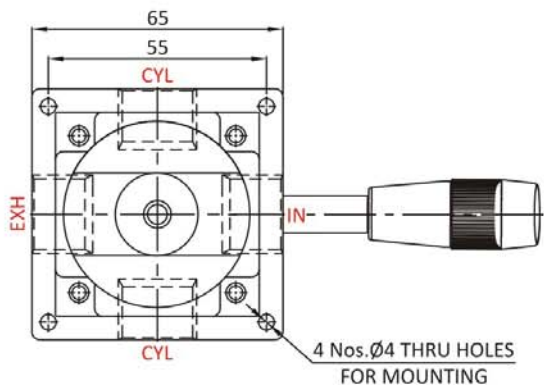
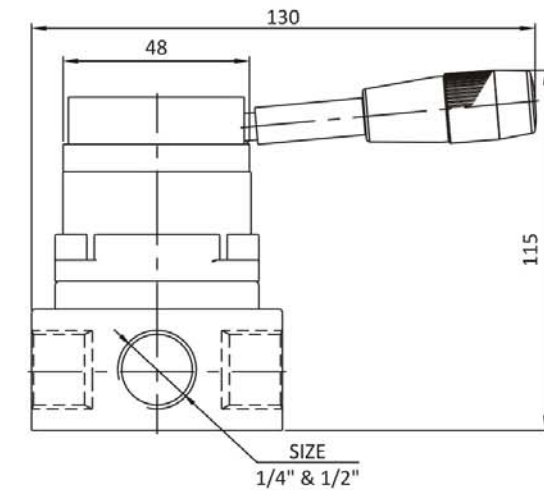
- ▶▶ Heavy & Durable design.
- ▶▶ Aluminum Die Cast Standard Grade with Powder Coating.
- ▶▶ Superior High Grade Seals
- ▶▶ Poppet design easy to maintenance

### Technical Specification

Model	2ARMDR - 02	2ARMDR - 04
Size	1/4"	1/2"
Orifice	7	10
Design	Poppet Type,	
Pressure	10 Kg/cm <sup>2</sup>	
Temperature	80 °C	
Leakage	Bubble Tight	
Media	Compressed Air ( Filtered & Lubricated )	
Flow (NLPM) at 5 BAR	1100	2100
Weight (Kg)	0.490	0.460



Size : 1/4" & 1/2" BSP (Dimensions are in mm)



No.	Part Name	Material
1	Knob Button	Aluminum Pressure Die Cast
2	Cap / Cover	Aluminum Pressure Die Cast
3	Disc	Aluminum
4	Piston	Rubber Molded / Alu. Piston
5	Spring	S. S.
6	Body	Aluminum Pressure Die Cast
7	Handle Knob	Nylon
8	Handle Stud	Steel Plated
9	Ball	S. Steel
10	Spring	S. Steel
11	Allen Key	Steel Plated
12	'O' Ring	NBR