



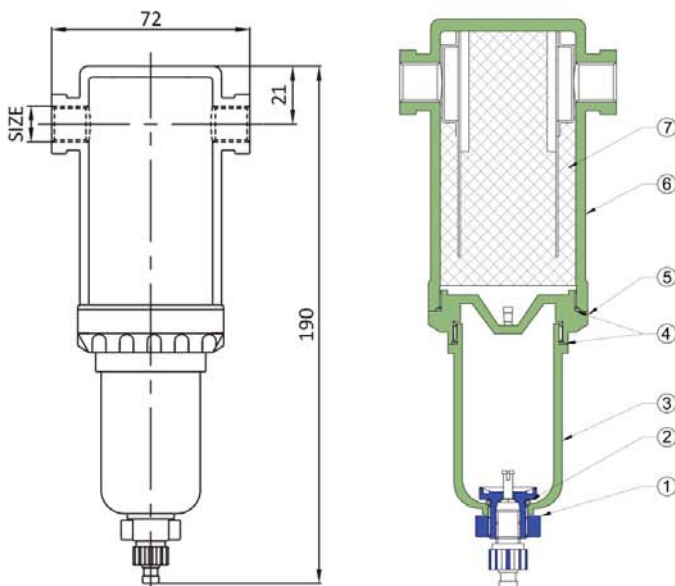
Features

- ▶ Aluminum Die Cast Body
- ▶ Light Weight
- ▶ Inbuilt Lip Drain Bowl with Manual Valve
- ▶ Compact, Economy fast moving
- ▶ High Efficient to Moisture for Air

Technical Specification

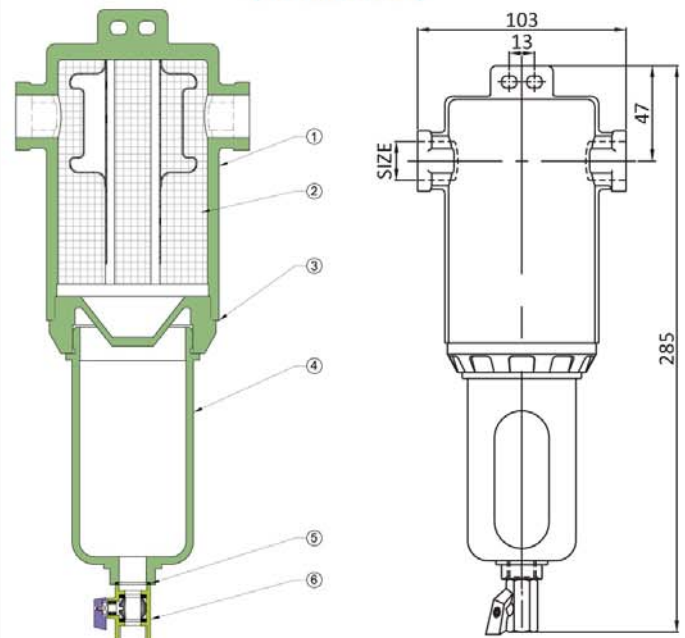
Model	COMBO - 01	COMBO - 02
Size	1/4"	1/2"
Flow Rate of SCFM	28	40
Efficiency	99.99%	
Working Pressure	10 Kg/cm ²	
Testing Pressure	12 Kg/cm ²	
Service Life	3 - 5 Years (Approx.)	
Maintenance	No maintenance required	
Spares	No Spare required	
Media	Compressed Air	
Installation Preferred	At the end, before FRL in each Equipment / Instrument	
Minimum Distance Required	6 mtrs. after Air Compressor / Air Receiver Tank	
Moisture Drainage	Manual Valve	
Weight	0.390	1.200

(COMBO 01)



No.	Part Name	Material
1	Drain Cok	Nylon / Glass Filled
2	'O' Ring	NBR
3	Bowl	Aluminum Pressure Die Cast
4	Flat Ring	NBR
5	Bottom Cover	Aluminum Pressure Die Cast
6	Body	Aluminum Pressure Die Cast
7	Cartridge	S. S.

(COMBO 02)



No.	Part Name	Material
1	Body	Aluminum Pressure Die Cast
2	Cartridge	S. S.
3	Cap	Aluminum Pressure Die Cast
4	Bowl	Aluminum Pressure Die Cast
5	'O' Ring	NBR
6	Manual Drain Valve	Brass